

TD1400 Loop Resistance Tester



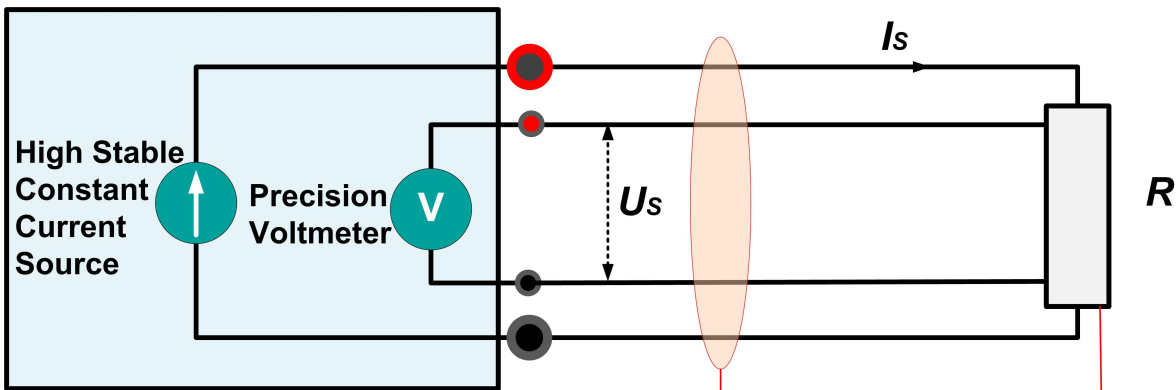
1. Summary

TD1400 is a portable instrument dedicated to measuring the loop resistance and contact resistance of switches, circuit breakers, copper-aluminum busbars and other equipment, with an accuracy of Class 0.2/ Class 0.5 available.

2. Features

- Resistance measurement range: 0.01 mΩ ~ 180 mΩ;
- Support long-term output of 2A~100A (optional 200A) DC current.
- LCD touch screen
- Built-in micro printer for on-site printing of test results.
- Can work under -20°C ~ 45°C ambient conditions.
- Supports AC (198 V ~ 253 V) wide voltage input range.
- RS232 interface.

☆ Measure loop resistance / contact resistance



Voltage and current integrated test wire

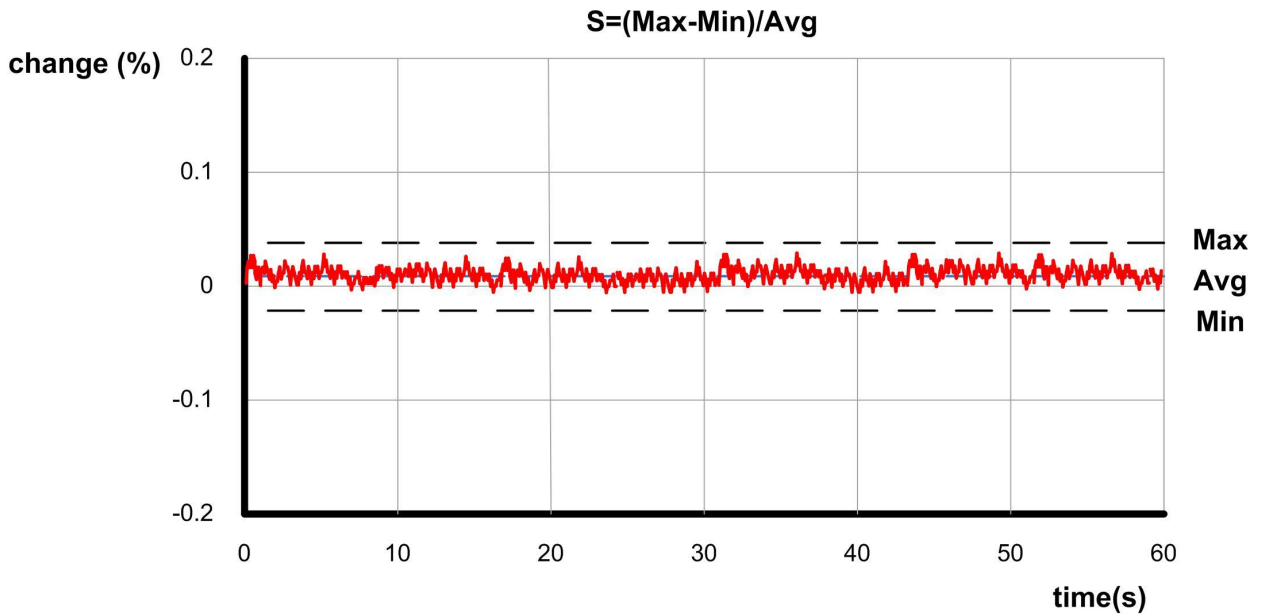


loop resistance / contact resistance (DUT)

- With a built-in constant current source, the instrument can continuously output 100 A (200A selection) large current;
- The four-wire wiring method can effectively eliminate the measurement error caused by the resistance of the test wire;
- It has a combination of voltage and current test wire.

3. Characteristics

☆ High stability constant current source



- The instrument adopts the design principle of closed-loop negative feedback system, which can feedback and adjust the output power value in real time to ensure real-time stability.
- The typical stability of the DC current output is 0.02%/min.

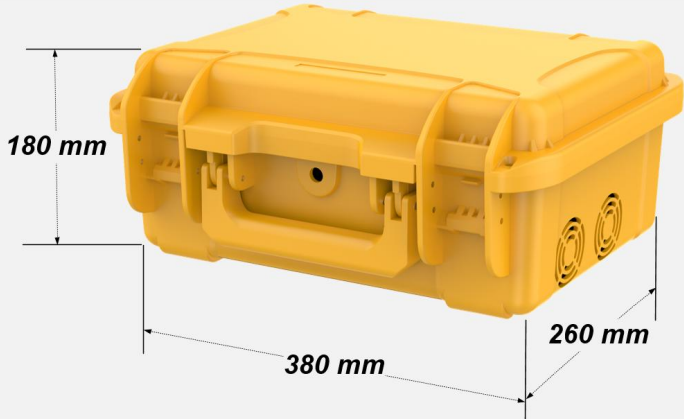
4. Specifications

Test the current	Resistance measurement range	Resolution	Measurement uncertainty (k=2) (%*RD + $\mu\Omega$) [1].	
			Class 0.5	Class 0.2
20 A	0 ~ 180 m Ω	10 m Ω	0.5 + 10	0.2 + 10
50 A	0 ~ 60 m Ω	1 m Ω	0.5 + 10	0.2 + 10
100 A	0 ~ 25 m Ω	1 m Ω	0.5 + 10	0.2 + 10
200 A ^[2]	0 ~ 5 m Ω	0.1 m Ω	0.5 + 10	0.2 + 10

Note [1]: RD is the reading value; [2]: 200 A range is optional

- Current output range: 2 A ~ 120 A (or 240A).

5. General Specifications

Power supply	AC (220 \pm 22)V, (50 \pm 2) Hz
Maximum power consumption	1000 VA
Warm-up time	\geq 30 min
Temperature performance	Working temperature: -20 $^{\circ}$ C ~ 45 $^{\circ}$ C Storage temperature: -20 $^{\circ}$ C ~ 55 $^{\circ}$ C
Humidity performance	Operating humidity: (20% ~ 85%) R·H, no condensation Storage humidity: < 95% R·H, no condensation
Communication interface	RS232
Quality	Approx 8 kg
Size	380 mm(W)X 260 mm(D)X 180 mm(H) 

6. Ordering Information

