

TH0780 Multiplexing V/V Selection Units



1. Summary

TH0780 is a high-precision power frequency voltage converter with built-in multi-position precision voltage transformers, which can convert large power frequency voltages into 1V output, and realize precise measurement of power frequency voltage or traceable calibration of voltage sources.

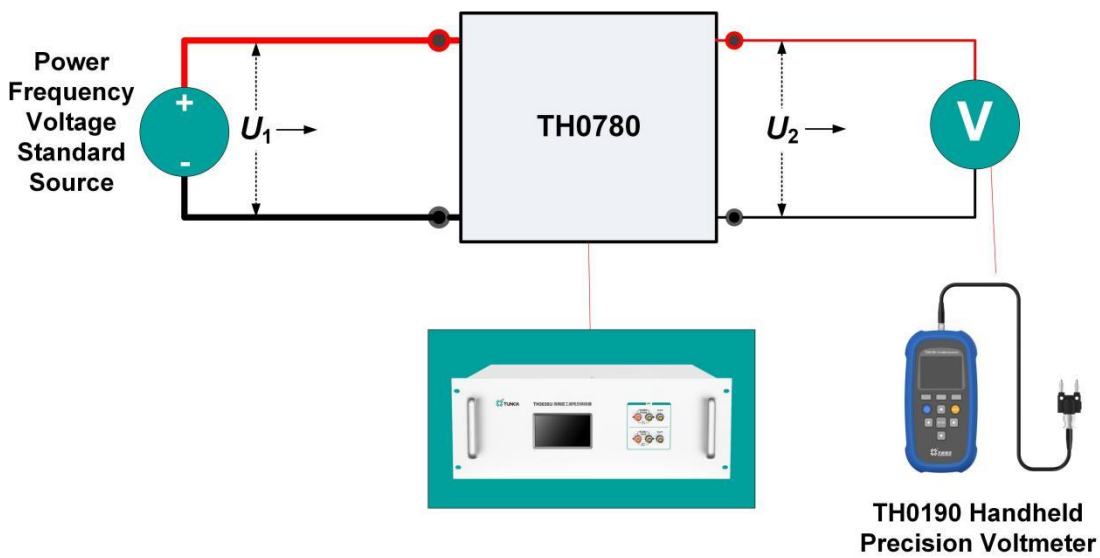
2. Feature

- U_1 Nominal Input: 60 V ~ 480 V
- U_2 Nominal Output: 1V
- Working Frequency: 45 Hz ~ 65 Hz
- Ratio Typical Uncertainty: 5 ppm
- Select different ratios by touch on the LCD screen.
- The voltage output can be turned off or on with one key.

3. Application

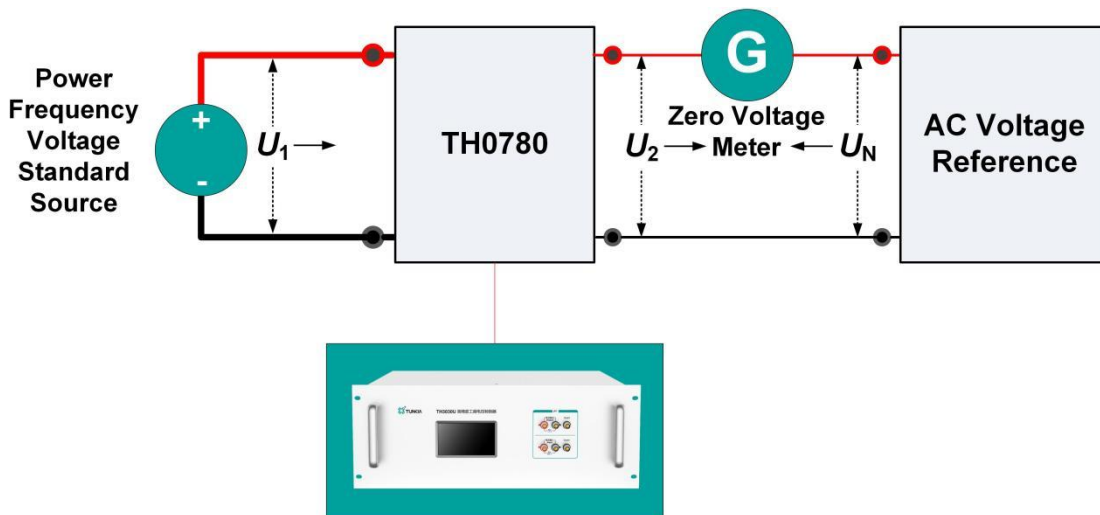
- Power Frequency Voltage Precision Measurement
- Power Frequency Voltage Standard Source Traceability

☆ Power Frequency Voltage Precision Measurement



- Combined with a precision voltmeter (such as TH0190) to build a precision current measurement system.
- Measure power frequency voltage or calibrate power frequency voltage source.

☆ Power Frequency Voltage Standard Source Traceability



- The secondary voltage output by TH0780 is compared with the AC voltage reference through the zero voltage meter.
- The ultra-high calibration uncertainty realizes the precise traceability of the power frequency voltage standard source.

4. Specification

Primary Nominal Input Voltage	Secondary Nominal Output Voltage	Ratio Typical Uncertainty(k=2)
60 V	1 V	5 ppm
120 V	1 V	5 ppm
240 V	1 V	5 ppm
480 V	1 V	5 ppm

5. General Specifications

Power Supply	AC (220 ± 22) V, (50 ± 2) Hz
Working Environment	0 °C ~ 40 °C, 20% R·H ~ 80% R·H, No condensation.
Storage Environment	-10 °C ~ 50 °C, 10% R·H ~ 90% R·H, No condensation.
Dimensions	483 mm (W) × 400 mm (D) × 177.8 mm (H) (without handle)
Weight	About 23.5 kg
Communication Interface	RS232×1、USB×1、LAN×1